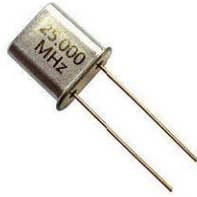




## DIP CRYSTAL UNITS

### ◆DIP HC-49U Crystal



This part is a miniature AT cut strip  
crystal units with a low profile package.  
It is with resistance weld.

#### FEATURES

- Low Cost
- Industry Standard
- Wide Frequency Range
- Excellent Aging

#### ◆标准规格Electrical Specifications

| Item                                   | Type | HC-49U   |
|--|------|--|
| 频率范围Frequency Range                    |      | 1.8000MHz~150.000MHz   |
| 负载电容Load Capacitance                   |      | 10pF to Series   |
| 调整频差Frequency Tolerance $\Delta F/F_0$ |      | $\pm 10\text{ppm}, \pm 20\text{ppm} \pm 30\text{ppm} \pm 50\text{ppm}$ (At 25°C) |
| 等效电阻Equivalent Series Resistance ESR   |      | See Table 1  |
| 温度频差Temperature Stability TC           |      | $\pm 10\text{ppm}, \pm 30\text{ppm}, \pm 50\text{ppm}$ (Rsfcr to 25°C)           |
| 工作温度Operating Temperature Range        |      | -20~+70°C, -40~+85°C Option  |
| 贮存温度Storage Temperature Range          |      | -55~+125°C   |
| 静态电容Shunt Capacitance                  |      | 7pF max.   |
| 绝缘电阻Insulator Resistance               |      | 500M $\Omega$ min. (At 100VDC)   |
| 激励电平Drive level                        |      | 100 $\mu$ W (500 $\mu$ W max)  |
| 老化率Aging                               |      | $\pm 5\text{ppm}$ max. (AT 25°C, First year)                                     |
| 最小包装Packing Unit                       |      | 200pcs/bag   |

#### ◆等效电阻Equivalent Series Resistance(ESR) and 振动模式Mode of Vibration(Mode)

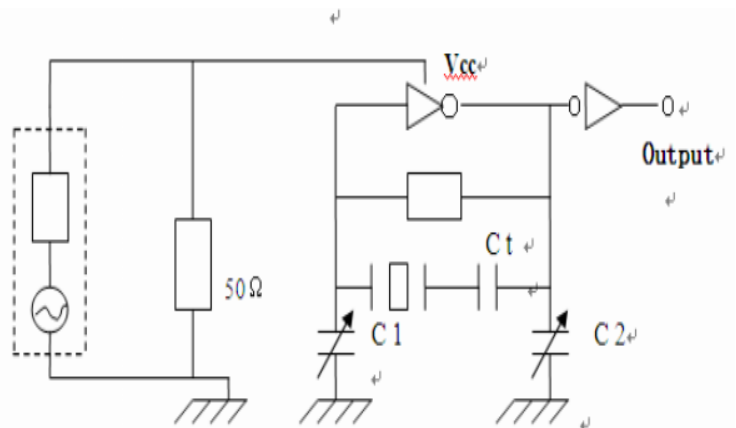
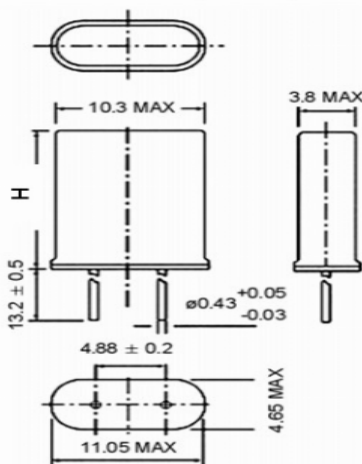
| Frequency Range(MHz) | Max ESR( $\Omega$ ) | Mode           | Frequency Range(MHz) | Max ESR( $\Omega$ ) | Mode           |
|----------------------|---------------------|----------------|----------------------|---------------------|----------------|
| 1.800 to 2.199       | 500                 | Fundamental/AT | 9.000 to 9.999       | 30                  | Fundamental/AT |
| 2.200 to 3.199       | 300                 | Fundamental/AT | 10.000 to 19.999     | 25                  | Fundamental/AT |
| 3.200 to 4.999       | 80                  | Fundamental/AT | 20.000 to 29.999     | 20                  | Fundamental/AT |
| 5.000 to 5.999       | 60                  | Fundamental/AT | 24.000 to 29.999     | 50                  | 3rd Overtone   |
| 6.000 to 8.999       | 40                  | Fundamental/AT | 30.000 to 150.000    | 30-80               | 3rd Overtone   |

\*\*Please contact us for inquiries regarding other Specifications

#### ◆外型尺寸Mechanical Dimensions(mm)

#### 测试电路 TEST CIRCUIT

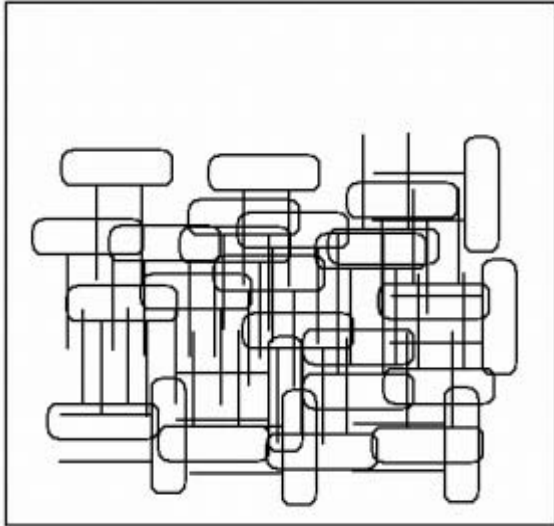
OUTLINE DIMENSIONS (unit:mm)



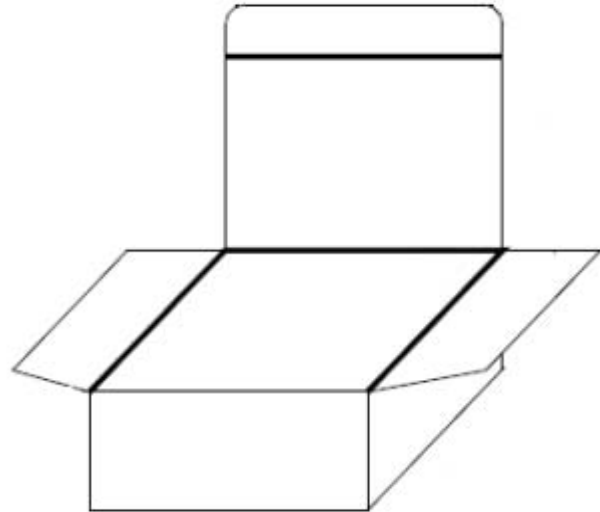


## DIP CRYSTAL UNITS

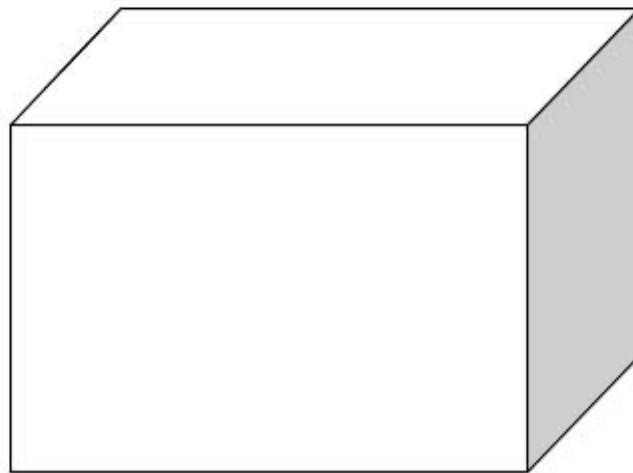
### ■ 包装Picking



200pcs/Bag (200只/袋)



10Bag(2000pcs)/Box (10袋/小盒)



10Box(20000pcs)/Outer Box (10盒/箱)